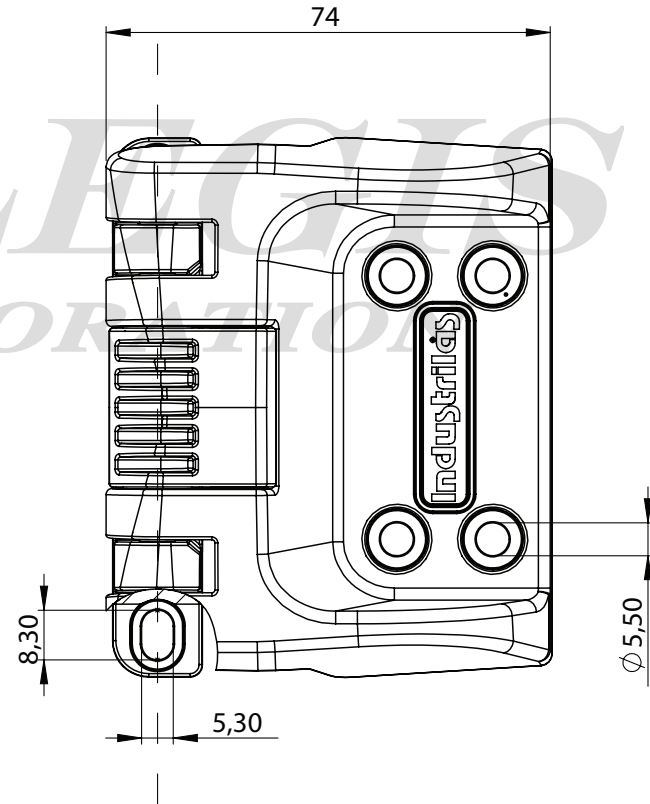
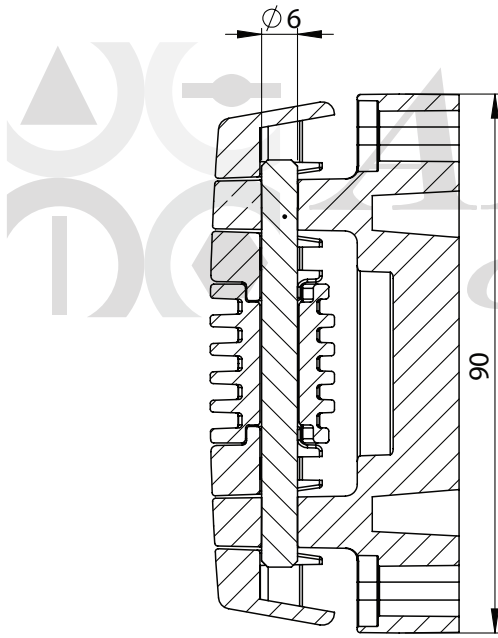


APPROVAL - CUSTOMER NAME & SIGNATURE	DATE



<p><b>www.ALLEGISCORP.com</b>  <b>1-866-378-7550</b></p>		<p>MATERIAL / FINISH :  Zinc Die-Cast, zinc plating w/ black powder coat</p>	
<p>REV. :  1 : 2</p>	<p>DATE :  2-14-2017</p>	<p>DESCRIPTION :  Hinge</p>	<p>DRAWING NO. :  2651-511050</p>